

SE-5OS-4215YD

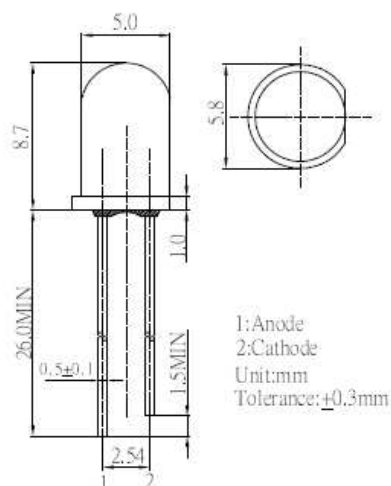
■ Features

- High Luminous LEDs
- 5mm Round Standard Directivity
- Superior Weather-resistance
- UV Resistant Epoxy
- Color Diffused Type

■ Applications

- Electronic Signs And Signals
- Small Area Illuminations
- Back Lighting
- Other Lighting

■ Outline Dimension



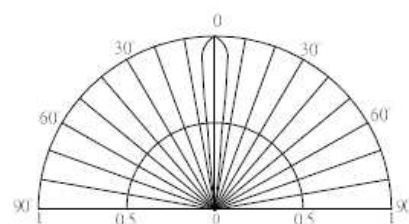
■ Absolute Maximum Rating

(Ta=25°C)

| Item | Symbol | Value | Unit |
|----------------------------|-----------|------------|------|
| DC Forward Current | I_F | 30 | mA |
| Pulse Forward Current* | I_{FP} | 100 | mA |
| Reverse Voltage | V_R | 5 | V |
| Power Dissipation | P_D | 72 | mW |
| Operating Temperature | T_{opr} | -30 ~ +85 | °C |
| Storage Temperature | T_{stg} | -40~ +100 | °C |
| Lead Soldering Temperature | T_{sol} | 260°C/5sec | - |

*Pulse width Max.10ms Duty ratio max 1/10

■ Directivity



■ Electrical -Optical Characteristics

(Ta=25°C)

| Item | Symbol | Condition | Min. | Typ. | Max. | Unit |
|---------------------|-----------------|------------|------|------|------|---------|
| DC Forward Voltage | V_F | $I_F=20mA$ | 1.8 | 2.1 | 2.4 | V |
| DC Reverse Current | I_R | $V_R=5V$ | - | - | 10 | μA |
| Dom. Wavelength* | λ_D | $I_F=20mA$ | 585 | 590 | 595 | nm |
| Luminous Intensity* | I_v | $I_F=20mA$ | 3000 | 4200 | - | med |
| 50% Power Angle | $2\theta_{1/2}$ | $I_F=20mA$ | - | 15 | - | deg |

*1 Tolerance of dominant wavelength is $\pm 1nm$

*2 Tolerance of luminous intensity is $\pm 15\%$

