

## SE-5OS-30RGC

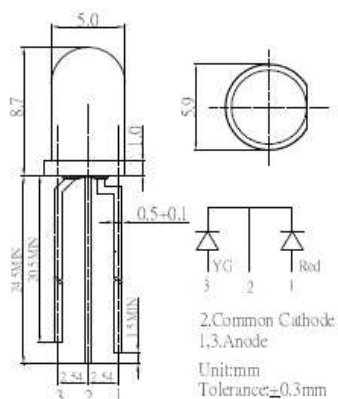
### ■Features

- High Luminous LEDs
- 5mm Round Standard Directivity
- Superior Weather-resistance
- UV Resistant Epoxy
- Water Clear Type

### ■Applications

- Toys
- Games
- Audio
- Other Lighting

### ■Outline Dimension

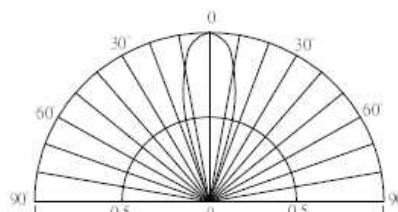


### ■Absolute Maximum Rating

(Ta=25°C)

Item	Symbol	Value		Unit
		Red	YG	
DC Forward Current	$I_F$	30	30	mA
Pulse Forward Current*	$I_{FP}$	100	100	mA
Reverse Voltage	$V_R$	5	5	V
Power Dissipation	$P_D$	72	72	mW
Operating Temperature	$T_{opr}$	-30 ~ +85		°C
Storage Temperature	$T_{stg}$	-40 ~ +100		°C
Lead Soldering Temperature	$T_{sol}$	260°C/5sec		-

### ■Directivity



\*Pulse width Max.10ms Duty ratio max 1/10

### ■Electrical -Optical Characteristics

(Ta=25°C)

Item	Symbol	Condition	Min.	Typ.	Max.	Unit
DC Forward Voltage	$V_F$ (Red)	$I_F=20mA$	1.8	2.1	2.4	V
DC Forward Voltage	$V_F$ (YG)	$I_F=20mA$	1.8	2.1	2.4	V
DC Reverse Current	$I_R$	$V_R=5V$	-	-	10	$\mu A$
Domi. Wavelength*	$\lambda_D$ (Red)	$I_F=20mA$	620	625	630	nm
	$\lambda_D$ (YG)	$I_F=20mA$	565	570	575	nm
Luminous Intensity*	$I_v$ (Red)	$I_F=20mA$	-	1500	-	mcd
	$I_v$ (YG)	$I_F=20mA$	-	1100	-	mcd
50% Power Angle	$2\theta_{1/2}$	$I_F=20mA$	-	30	-	deg

\*1 Tolerance of dominant wavelength is  $\pm 1$  nm

\*2 Tolerance of luminous intensity is  $\pm 15\%$

