

SE-3OS-30RGC

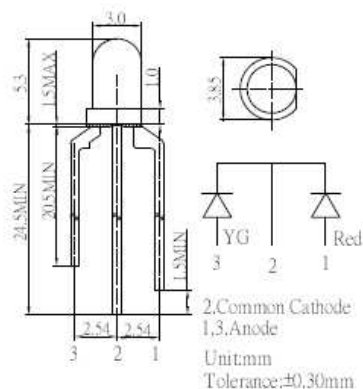
■Features

- High Luminous LEDs
- 3mm Round Standard Directivity
- Superior Weather-resistance
- UV Resistant Epoxy
- Water Clear Type

■Applications

- Toys
- Games
- Audio
- Other Lighting

■Outline Dimension

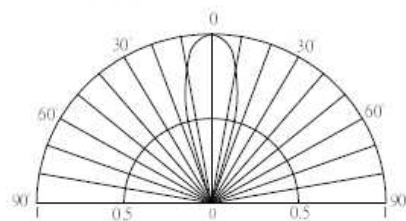


■Absolute Maximum Rating

(Ta=25°C)

| Item | Symbol | Value | | Unit |
|----------------------------|-----------|------------|-----|------|
| | | Red | YG | |
| DC Forward Current | I_F | 30 | 30 | mA |
| Pulse Forward Current* | I_{FP} | 100 | 100 | mA |
| Reverse Voltage | V_R | 5 | 5 | V |
| Power Dissipation | P_D | 72 | 72 | mW |
| Operating Temperature | T_{opr} | -30~ +85 | | °C |
| Storage Temperature | T_{stg} | -40 ~ +100 | | °C |
| Lead Soldering Temperature | T_{sol} | 260°C/5sec | | - |

■Directivity



*Pulse width Max.10ms Duty ratio max 1/10

■Electrical -Optical Characteristics

(Ta=25°C)

| Item | Symbol | Condition | Min. | Typ. | Max. | Unit |
|---------------------|-------------------|------------|------|------|------|------|
| DC Forward Voltage | V_F (Red) | $I_F=20mA$ | 1.8 | 2.1 | 2.4 | V |
| DC Forward Voltage | V_F (YG) | $I_F=20mA$ | 1.8 | 2.1 | 2.4 | V |
| DC Reverse Current | I_R | $V_R=5V$ | - | - | 10 | μA |
| Domi. Wavelength* | λ_D (Red) | $I_F=20mA$ | 620 | 625 | 630 | nm |
| | λ_D (YG) | $I_F=20mA$ | 565 | 570 | 575 | nm |
| Luminous Intensity* | I_v (Red) | $I_F=20mA$ | - | 1100 | - | mcd |
| | I_v (YG) | $I_F=20mA$ | - | 800 | - | mcd |
| 50% Power Angle | $2\theta_{1/2}$ | $I_F=20mA$ | - | 30 | - | deg |

*1 Tolerance of dominant wavelength is ±1nm

*2 Tolerance of luminous intensity is ±15%

