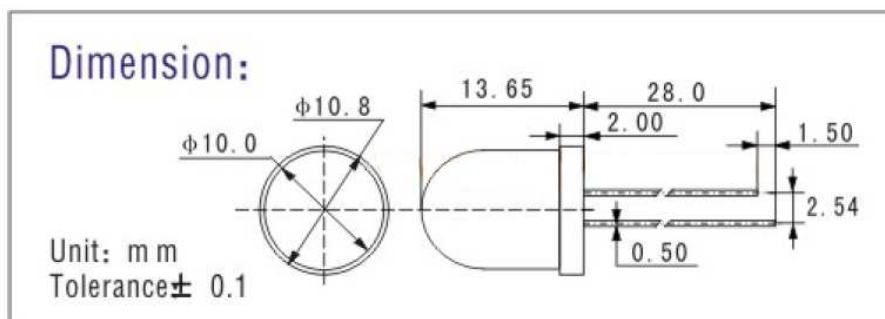


# BS Elektronik Service GmbH

## SE-1080WBH



### Notes:

- 1000ucd = 1 mcd, 1000mcd = 1cd
- All dimensions are in millimeter
- Clean only in isopropanol, ethanol, Freon TF (or equivalent)
- If forming is required, it must be done before soldering. Form pin leads by securing under 5mm from body and bedding with radio pliers or the equivalent to avoid pressure on resin. When the LED is mounted into a P.C. board, pitch spacing should be aligned to prevent any stress to the resin. Any unsuitable stress applied to resin may break bonding wire in LED, which will cause failure.
- Protruded resin under flange is 1.5mm Max.
- Specifications are subject to change without notice.

### Absolute Maximum Rating

Parameter	Maximum Rating	Unit
DC forward current	30	mA
Peak forward current Pulse width Max. 10ms duty ratio Max 1/10	100	mA
Reverse Voltage	5	V
Power dissipation	100	mW
Operating Temperature Range	- 40 °C to +85°C	
Storage Temperature Range	-40°C to +100°C	
Lead Soldering Temperature [4mm From Body]	260°C for 5 seconds	

### Electro-Optical Characteristics ( Ta=25°C )

Parameter Radiant	Test Condition	Symbol	Min.	Typ	Max.	Unit
Forward Voltage	If=20mA	V <sub>DD</sub>	2.8	3.6	4.0	V
Color Temperature	If=20mA	C <sub>T</sub>			10000	K
Luminous Intensity	If=20mA	I <sub>v</sub>	80		110	cd
Reverse Current	V <sub>r</sub> =5V	I <sub>r</sub>			100	μA
Viewing Angle	If=20mA	2 θ 1/2		20		deg

