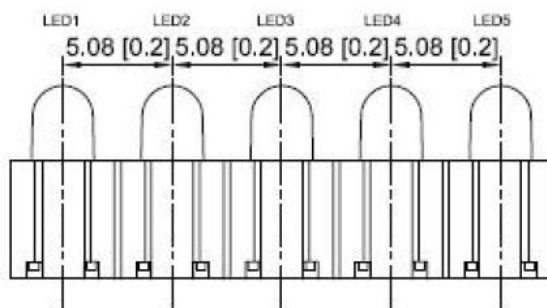
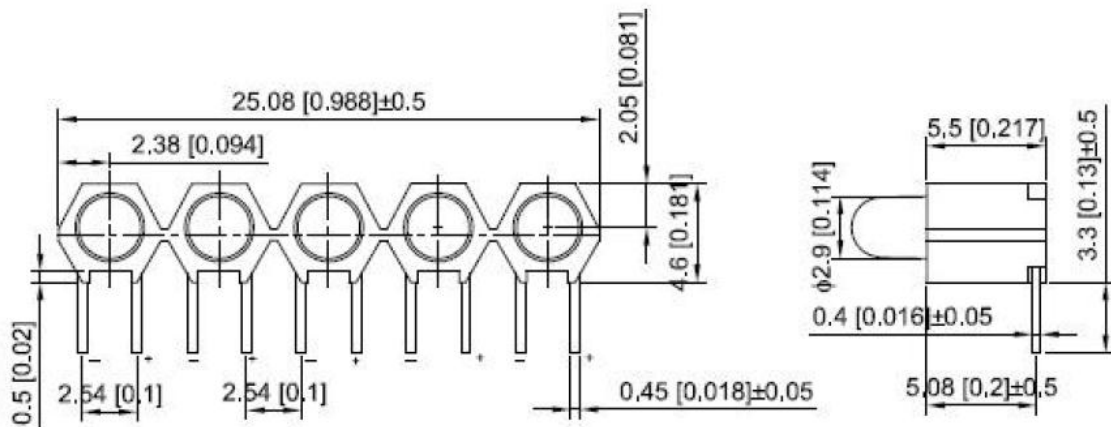


SE-50-Y5

PRELIMINARY SPEC.

RoHS Compliant

3mm LED ARRAYS



UNIT : MM[INCH]

TOLERANCE : ±0.25[±0.01] UNLESS OTHERWISE NOTED