

Power 5mm Round Pure White LED

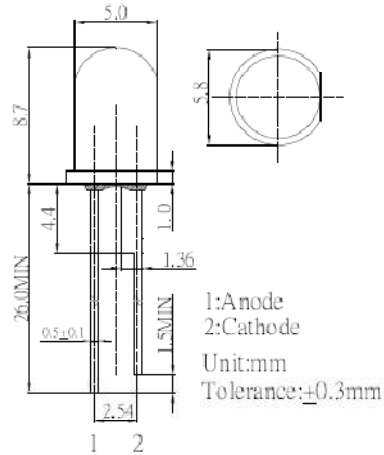
■Features

- High Luminous LEDs
- 5mm Standard Directivity
- Long Lifetime Operation
- Superior Weather-resistance
- UV Resistant Epoxy
- Water Clear Type

■Applications

- Automotive Dashboard Lighting
- Small Area Illuminations
- Back Lighting
- Other Lighting

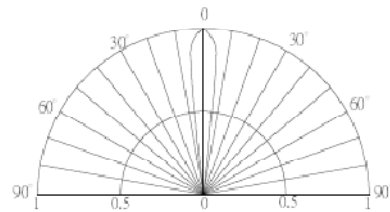
■Outline Dimension



■Absolute Maximum Rating (Ta=25°C)

Item	Symbol	Value	Unit
DC Forward Current	I_F	50	mA
Pulse Forward Current*	I_{FP}	120	mA
Reverse Voltage	V_R	5	V
Power Dissipation	P_D	190	mW
Operating Temperature	T_{opr}	-30 ~ +85	°C
Storage Temperature	T_{stg}	-40 ~ +100	°C
Lead Soldering Temperature	T_{sol}	260°C / 5sec	-

■Directivity



*Pulse width Max. 10ms , Duty ratio max 1/10

■Electrical -Optical Characteristics (Ta=25°C)

Item	Symbol	Condition	Min.	Typ.	Max.	Unit
DC Forward Voltage	V_F	$I_F=50mA$	3.0	3.3	3.8	V
DC Reverse Current	I_R	$V_R=5V$	-	-	10	μA
Luminous Intensity*	I_v	$I_F=50mA$	45000	60000	-	mcd
Chromaticity Coordinates*	x	$I_F=50mA$	-	0.27	-	
	y	$I_F=50mA$	-	0.28	-	
50% Power Angle	$2\theta_{1/2}$	$I_F=50mA$	-	15	-	deg

*1 Tolerance of chromaticity coordinates is ±10%

*2 Tolerance of luminous intensity is ±15%



Power 5mm Round Pure White LED

InGaN LED

TYPICAL ELECTRICAL/OPTICAL CHARACTERISTIC CURVES

