



ProLight Opto
Technology Corporation

**ProLight PG1N-NX06
Collimator
Technical Datasheet
Version: 2.0**



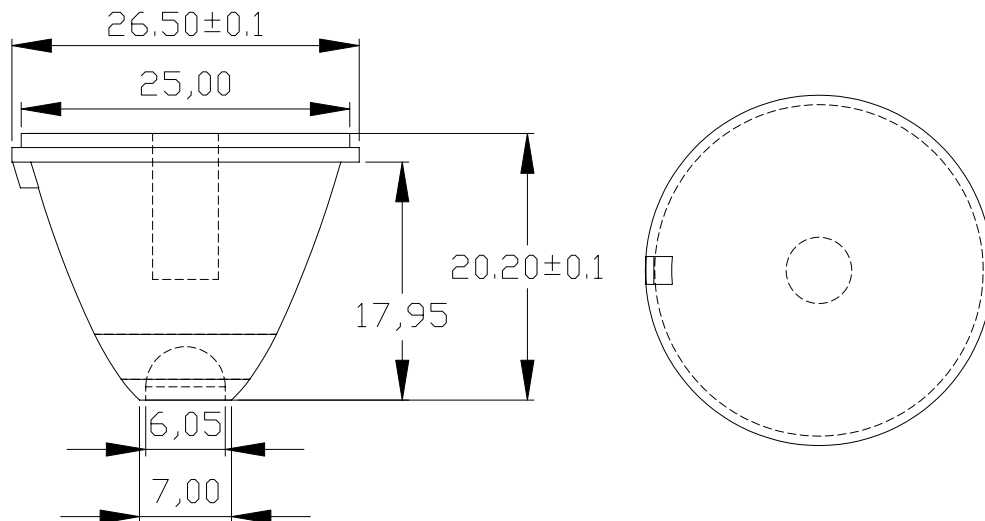
Features

- Up to 90% efficiency
- 6° viewing angle
- Works with all ProLight 1W/3W single dice products

Typical Applications

- Reading lights (car, bus, aircraft)
- Portable (flashlight, bicycle)
- Mini-accent / Decorative / Fiber Optics Alternative
- Undershelf / Task Lighting
- Indoor and Outdoor Commercial and Residential Architectural lighting

Mechanical Dimensions



Notes:

1. All dimensions in millimeters and without tolerances are for reference only.
2. The collimator rim ($\varnothing 26.5$ mm) may be used as a snap-on feature to support the collimator.
3. The ProLight light source must be protected from any axial or lateral loads caused by the collimator—do not clamp the collimator against the ProLight emitter.
4. Do not subject to temperatures greater than 75°C as plastic deformation may occur.

Representative Spatial Radiation Pattern

Super-Narrow Beam Pattern

